



FROM
CONCEPT TO
CREATION

Add:Unit D, 16F, One Capital Place, 18 Luard Road, Wan Chai, Hong Kong.

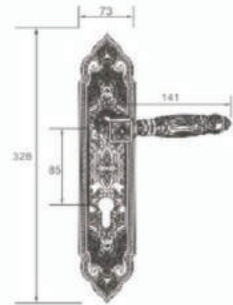
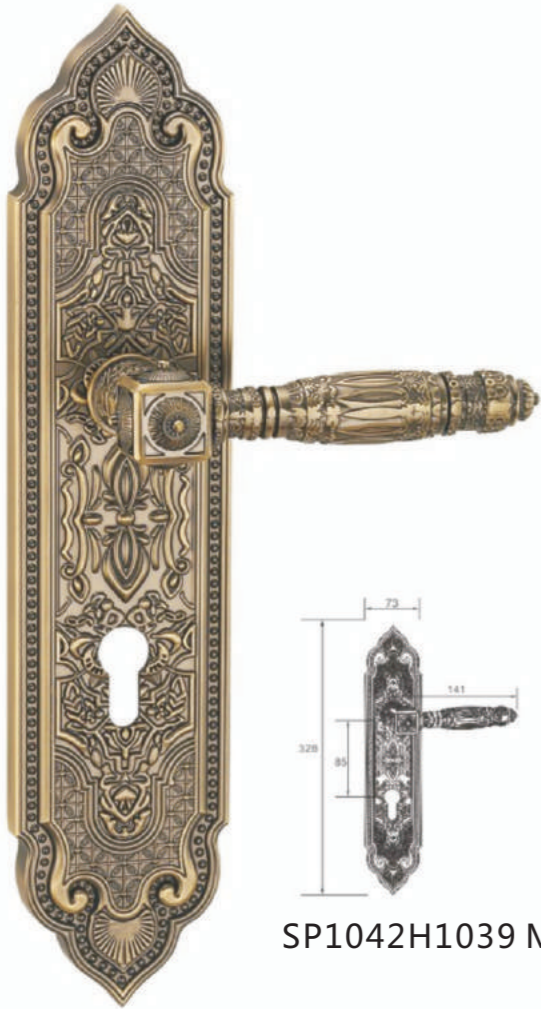
Tel:00852-28150191-031

Mob:0086-18665050952

Email:info@sipporgroup.com

www.sipporgroup.com





SP1042H1039 MAB



SP1043H1040 CF



SP1044H1041 CF



SP1045H1042 CF



SP1046H1043 CF



SP1047H1043 CF





1086H1089 BN/GP



1087H1090 BN/GP



1088H1091 PVD



1089H1092 PVD



1098H1101 ORB



1099H1102 CF



1100H1103 CF



1101H1104 GP



1090H1093 PVD



1091H1094 PVD



1092H1095 PVD



1093H1096 PVD



1102H1105 CF



1103H1106 CF



1104H1107 CF



1105H1108 CF



1094H1097 PVD



1095H1098 PVD



1096H1099 PVD



SP1045H1042 CF
1097H1100 PVD



1107H1110 PVD



1106H1109 CF



1108H1111 CF



1109H1112 CF



H-1145 CF



1072H1145 CF



A21-1145 CF



H-1146 CF



1142H1146 CF



A10-1146 CF



HA21-1147 CF



1143H1147 CF



A21-1147 CF



HA21-1148 CP



1072H1148 CP



A21-1148 CP



1072H1149 SN/CP

HA17-1149 SN/CP A17-1149 SN/CP

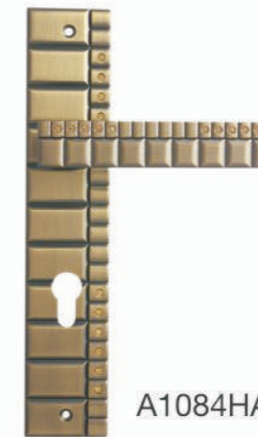


1143H1150 CP

HA17-1150 CP A17-1150 CP



A1080HA1083 MAB



A1084HA1087 MAB



A1144HA1151 MAB

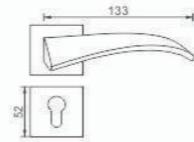


A2-1152 PVD

A14-1199 PVD



Technical note
Material: Zinc Alloy
Door Thickness: 45-60



A14-1199 CP



A14-1199 SN



A14-1199 SCF

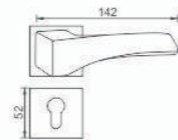


A14-1199 AB

A14-1200 PVD



Technical note
Material: Zinc Alloy
Door Thickness: 45-60



A14-1200 SC



A14-1200 SN

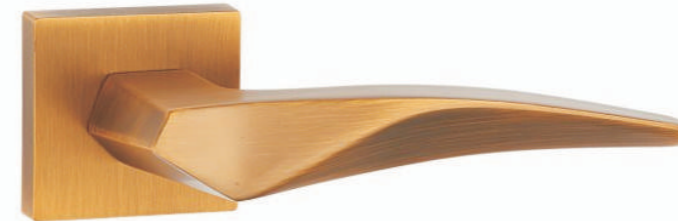


A14-1200 CF

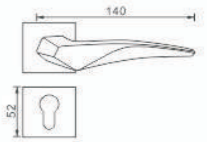


A14-1200 MAB

A14-1201 CF



Technical note
Material: Zinc Alloy
Door Thickness: 45-60



A14-1201 SN/CP

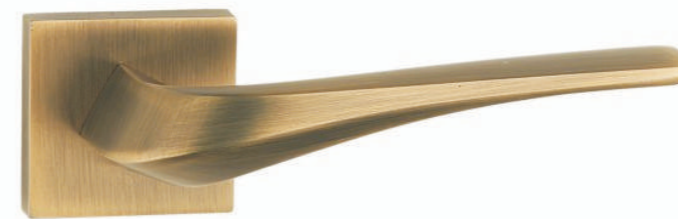


A14-1201 PVD

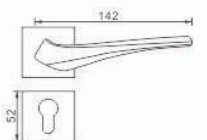


A14-1201 MAB

A14-1202 MAB



Technical note
Material: Zinc Alloy
Door Thickness: 45-60



A14-1202 PVD



A14-1202 CP

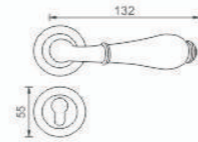


A14-1202 CF



A31-1203 GP/RED

Technical note
Material: Zinc Alloy
Door Thickness: 45-60



A11-1203 ORB



A11-1203 PVD



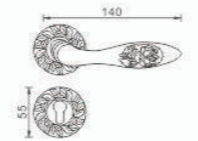
A31-1203 GP/RED



A1-1333 MAB

A49-1046 GP/RED

Technical note
Material: Zinc Alloy
Door Thickness: 45-60



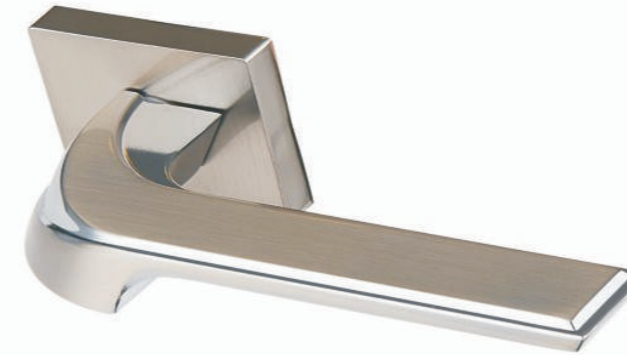
A30-1046 PVD



A49-1046 CF

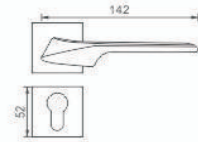


A30-1046 MSN



A14-1045 SN/CP

Technical note
Material: Zinc Alloy
Door Thickness: 45-60



A14-1045 MAB



A14-1045 PVD

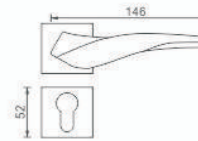


A14-1045 SCF



A14-1206 SN/CP

Technical note
Material: Zinc Alloy
Door Thickness: 45-60



A14-1206 MAB



A14-1206 SCF

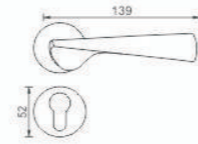


A14-1206 SG/GP

A32-1207 CP



Technical note
Material: Zinc Alloy
Door Thickness: 45-60



A32-1207 PVD



A32-1207 MAB



A32-1207 SCF

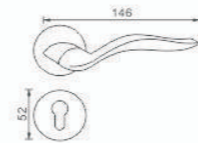


A32-1207 SN

A32-1208 CP



Technical note
Material: Zinc Alloy
Door Thickness: 45-60



A32-1208 MAB



A32-1208 SN



A32-1208 CF

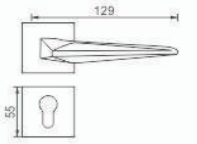


A32-1208 PVD

A17-1048 SN/CP



Technical note
Material: Zinc Alloy
Door Thickness: 45-60



A17-1048 AB



A17-1048 SCF

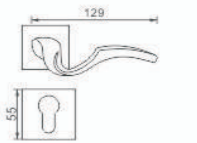


A17-1048 PVD

A14-1210 CF



Technical note
Material: Zinc Alloy
Door Thickness: 45-60



A14-1210 MAB



A14-1210 SN

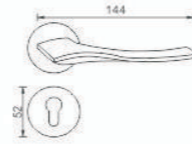


A14-1210 PVD



A32-1211 MAB

Technical note
Material: Zinc Alloy
Door Thickness: 45-60



A32-1211 CF



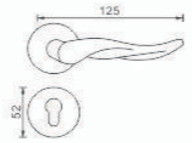
A32-1211 SC



A32-1211 PVD

A32-1212 PVD

Technical note
Material: Zinc Alloy
Door Thickness: 45-60



A32-1212 MAB



A32-1212 CF

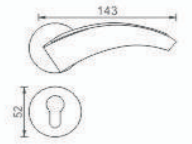


A32-1212 CP



A32-1213 SN/CP

Technical note
Material: Zinc Alloy
Door Thickness: 45-60



A32-1213 MAB/PVD

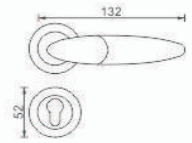


A32-1213 PVD



A-1214 SN/CP

Technical note
Material: Zinc Alloy
Door Thickness: 45-60



A2-1214 MAB/PVD



A2-1214 SG/GP



A14-1215 SCF



A21-1116 ORB



A2-1049 SCF



A18-1216 SCF



A32-1204 SCF



A45-1300 SCF



A14-1218 BN



A32-1217 AI



A14-1220 ORB



A32-1221 BN



A32-1238 PVD



A14-1239 SG/GP



A2-1242 MAB



A-1243 MAB



A17-1086 PVD



A24-1240 PVD



A14-1244 MAB



A34-1245 MAB



A23-1028 PVD



A2-1241 CP/GP



A-1246 MAB



A35-1085 MAB



A39-1247 MAB



A1-1248 MAB



A-1074 AB



A32-1249 MAB



A-1054-2 SN/CP



A-1265 SN/CP



A55-1065 SN



A55-1270 SN/CP



A-1055 SN/CP



A-1266 SN



A55-1271 SN/CP



A-1272 SN/CP



A-1135 SN/CP



A2-1104 SN/CP



A-1062 SN/CP



A-1273 SN/CP



A-1073 SN/CP



A-1267 SN/CP



A32-1274 SN



A32-1275 SN



A-1268 SN



A-1269 SN/CP



A2-1276 SN



A-1059 SN/CP



A7-1292 SN/CP



A17-1293 SN/CP



A7-1298 SN/CP



A6-1299 CP



A7-1294 SN/CP



A17-1295 SN/CP



A17-1219 BN/CP



A7-1301 BN/CP



A19-1296 SN



A6-1297 SN



A6-1302 CP



A7-1076 CP



A14-1303 CP



A7-1304 SN/CP



A17-1305 SN/CP

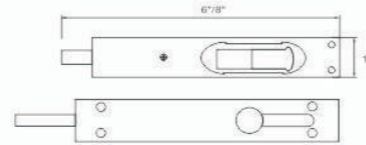


A22-1306 CP



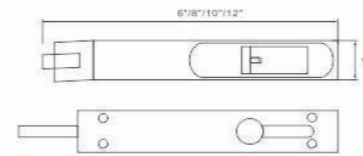
YB-037 SS

Material: Zinc
Finish: SN



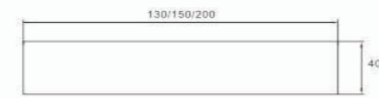
YB-034 SN

Material: Zinc
Finish: SN



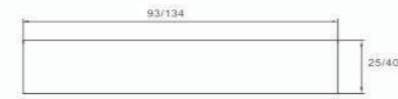
YB-803 SC

Material: Zinc
Finish: PB



YB-802 SC

Material: Zinc
Finish: GP



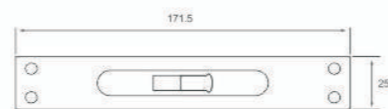
YB-801 SC

Material: Zinc
Finish: PVD



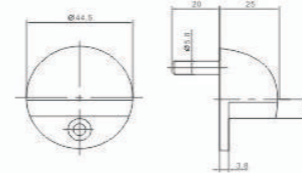
YB-800 SC

Material: Brass
Finish: SN



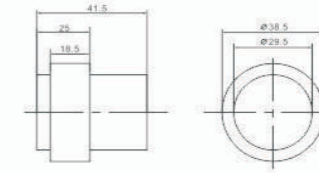
D3704 SS

Material: Zinc
Finish: GP



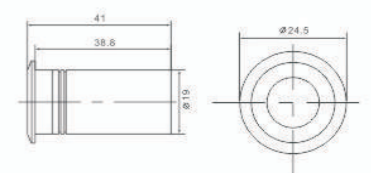
D8001 SS

Material: Zinc
Finish: SN



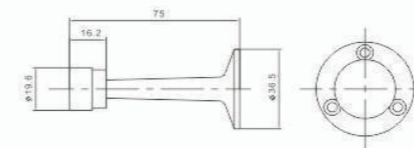
D3802 SS

Material: Brass
Finish: SN



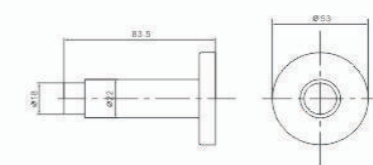
D3705 SS

Material: Zinc
Finish: SN



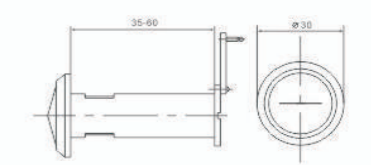
D3817 SS

Material: Stainless Steel
Finish: SS



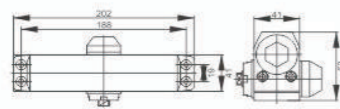
BP-05 SS

Material: Brass
Finish: SN

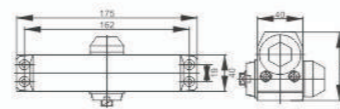




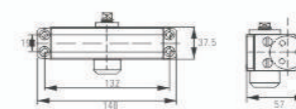
KC8001
Finish: GP



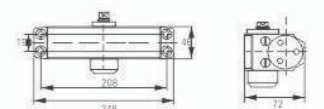
KC8001
Finish: Silver



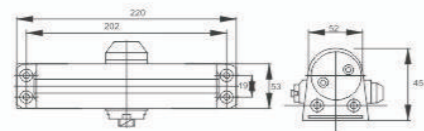
KC8003
Finish: Silver



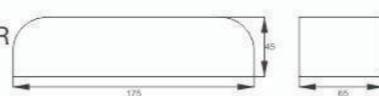
KC8004
Finish: Silver



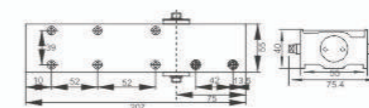
KC8002
Finish: GP



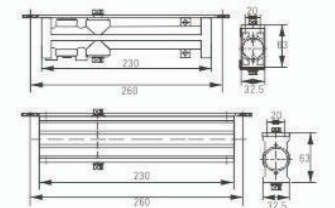
KC8002 COVER
Finish: GP

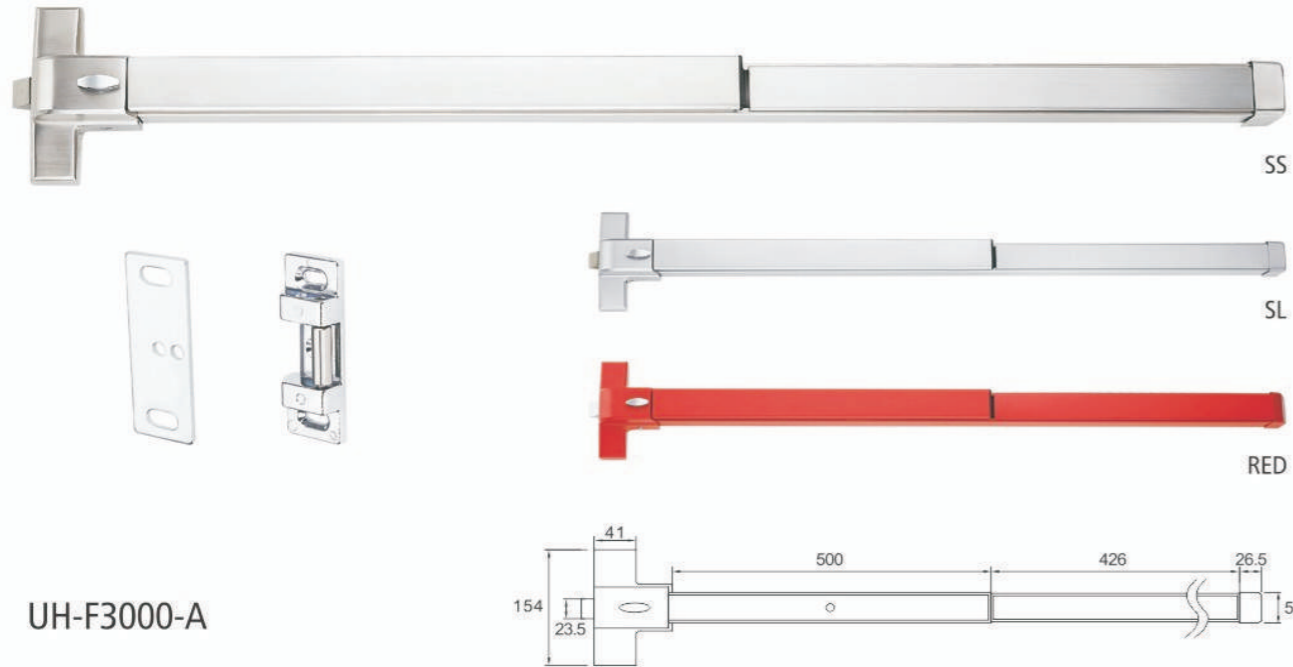


KC8005
Finish: Silver



KC8006
Finish: Silver





UH-F3000-A

UH-F3000-A UL Panic Exit Device, Rim Type, single leaf door

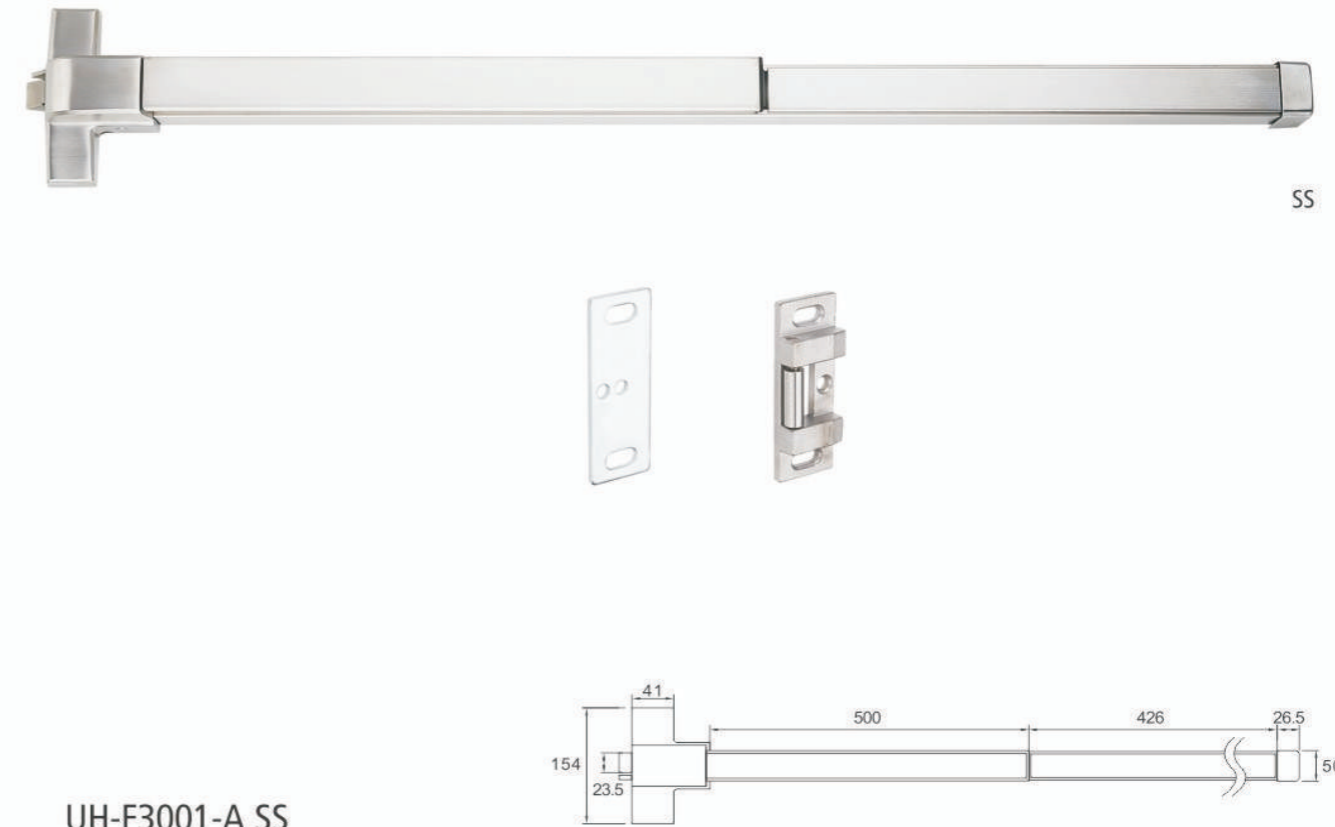
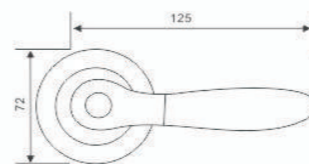
Features of the UH-F3000-A Rim Type Half length Panic Exit Device
 Features of the the UH-F3000-A Rim Type Full length Panic Exit Device

- Type: Rim type, Half length or length
- Material: Heavy gauge steel or stainless steel
- Length: 1045MM as a standard, could be customized
- Color: Sliver painted or stainless steel as a standard, could be customized
- Accommodates wood and metal doors with thru bolts standard
- Apply to door for fire protection, some ventilation.
- Apply to single leaf door
- Could be match with outside access device like cylinder, trim and lever
- Conforming to ANSI/BHMA standard A 156.3 Grade 1.
- Open by handspike inside, and by key outside.
- Endurance test, over 500,000 times still keep good performance.
- Surface mounted for ease of installation.
- Non fire rated devices come standard with hex key dogging.
- Dogging: Allen key



UH-F3000-B

- Material: Zinc alloy
- Finish: SC
- For: UH-F3000-A



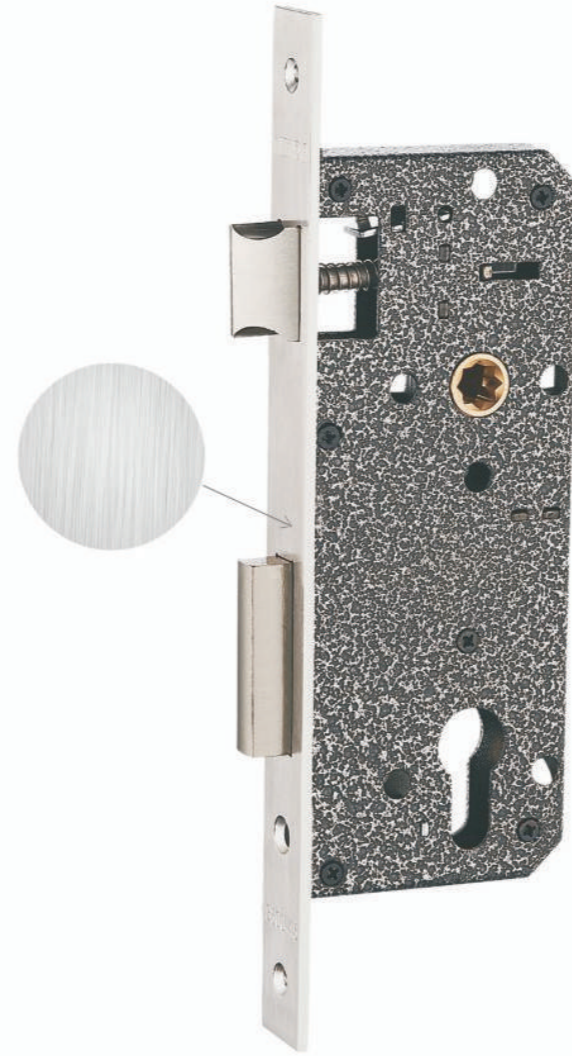
UH-F3001-A SS

UH-F3001-A Fire Rated Exit Device, Rim Type, single leaf door

Features of the the UH-F3001-A Rim Type Half length Panic Exit Device
 Features of the the UH-F3001-A Rim Type Full length Panic Exit Device

- Type: Rim type, Half length
- Material: Heavy gauge steel or 304 stainless steel
- Length: 1045MM as a standard, could be customized
- Color: Alum as a standard, could be customized
- Accommodates wood and metal doors with thru bolts standard
- Match with outside access device like cylinder, trim and lever
- Apply to door for fire protection, some ventilation.
- Apply to single leaf door
- Conforming to U.L.10C and ANSI/BHMA A156.3-(2008)Grade 1.
- U.L./U.L.C listed for "Fire exit hardware" labeled for rating up to and including 3 hours.
- Endurance test, over 500,000 times still keep good performance.
- Surface mounted for ease of installation.





ART.NO:	FINISH:
8500-40	GP
8500-45	SN
8500-50	PVD
8500-55	CP
8500-60	AB

STANDARD LOCK

Features

For wooden & metal doors
 For single-leaf doors
 Prepared for profile cylinders
 With key action
 Stainless steel or brass latch bolt
 Deadbolt 2-tutns

Technical data

Follower	8mm
Distance	85mm
Backset	40, 45, 50, 55, 60mm

Forend

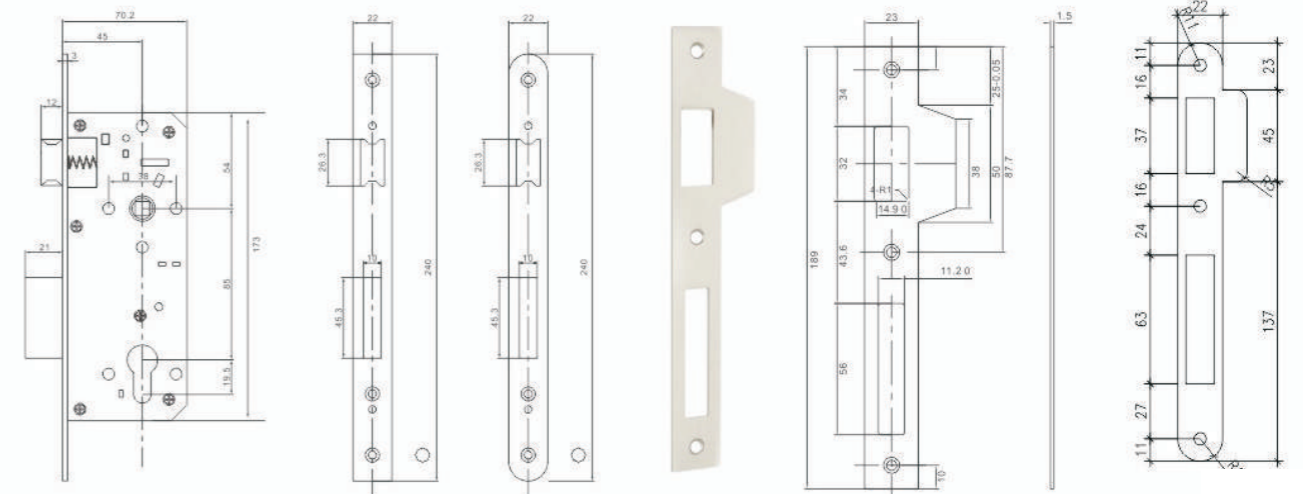
Type	Square head/ round head
Thickness	3mm
Width	22mm

Forend finish

Steel: SN, CP, AB, AC, COF, PVD, SS, GP

Accessories

Striking plate
 Lock and striking plate fixing screws





ART.NO:	FINISH:
8504-40	SN
8504-45	GP

STANDARD LOCK

Features

- For wooden & metal doors
- For single-leaf doors
- Prepared for profile cylinders
- With key action
- Stainless steel or brass latch bolt
- Deadbolt 2-tutns

Technical data

Follower	8mm
Distance	85mm
Backset	40,45mm

Forend

Type	Square head
Thickness	3mm
Width	23mm

Forend finish

Steel: SN, CP, AB, AC, COF, PVD, SS, GP

Accessories

- Striking plate
- Pocket
- Lock and striking plate fixing screws



ART.NO:	FINISH:
8501-45	SN
8501-55	GP

STANDARD LOCK

Features

- For wooden & metal doors
- For single-leaf doors
- Prepared for profile cylinders
- With key action
- Stainless steel or brass latch bolt
- Deadbolt 2-tutns

Technical data

Follower	8mm
Distance	85mm
Backset	45,55mm

Forend

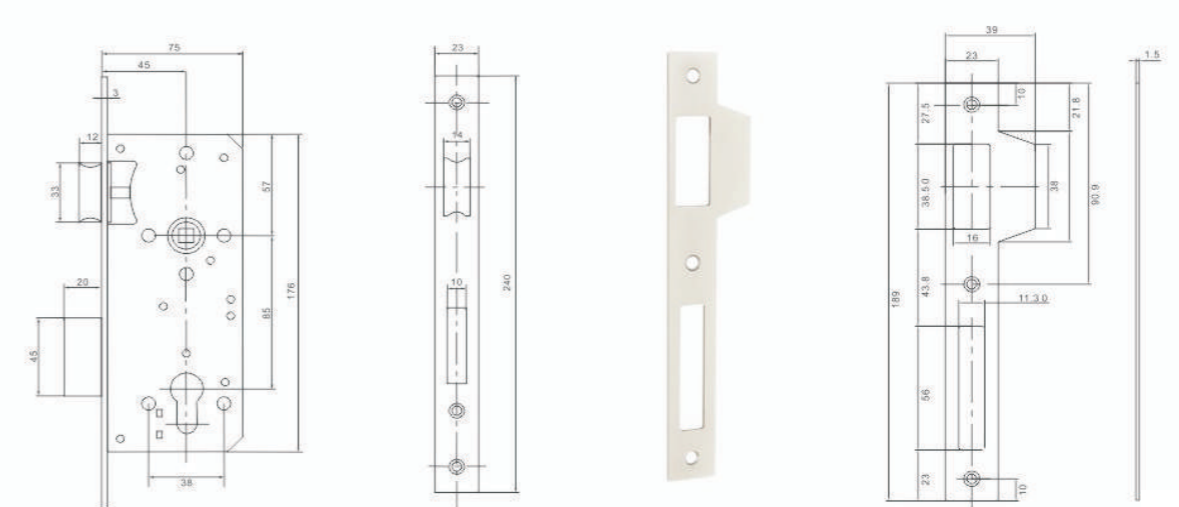
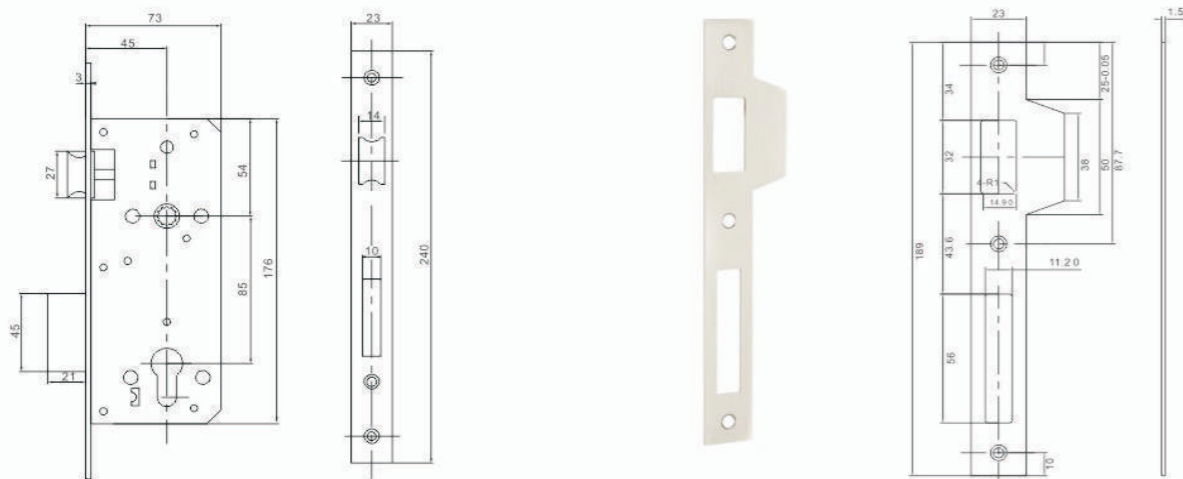
Type	Square head
Thickness	3mm
Width	23mm

Forend finish

Steel: SN, CP, AB, AC, COF, PVD, SS, GP

Accessories

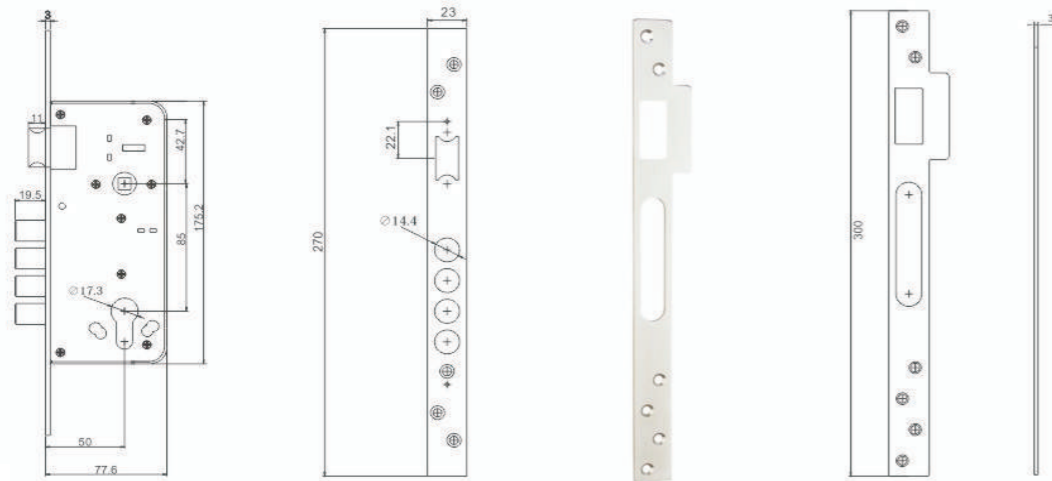
- Striking plate
- Lock and striking plate fixing screws





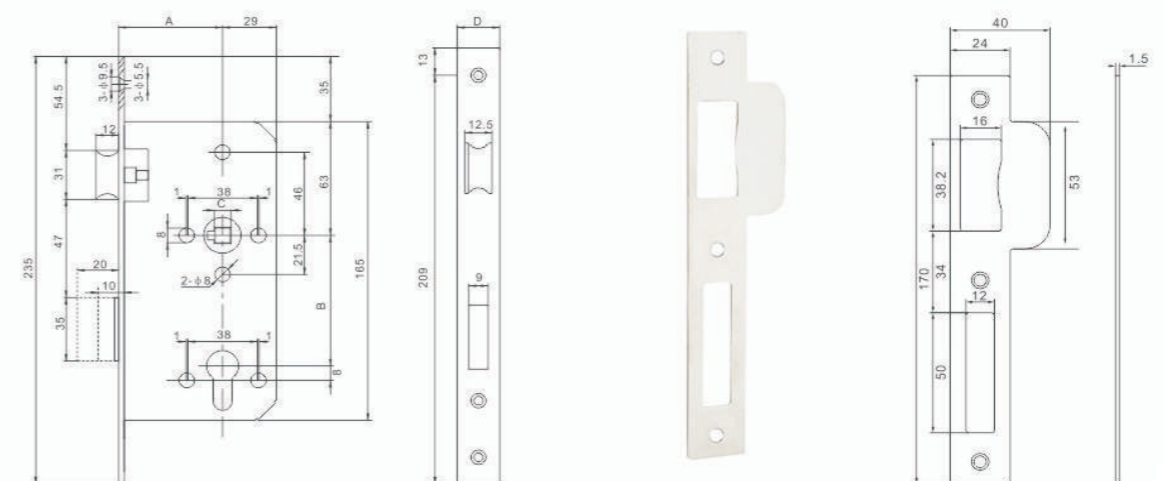
ART.NO:	FINISH:
8506-50	SN
8506-60	SN

STANDARD LOCK	
Features	
For wooden & metal doors	
For single-leaf doors	
Prepared for profile cylinders	
With key action	
Stainless steel or brass latch bolt	
Deadbolt 2-tutns	
Technical data	
Follower	8mm
Distance	85mm
Backset	50,60mm
Forend	
Type	Square head
Thickness	3mm
Width	23mm
Forend finish	
Steel: SN, CP, AB, AC, COF, PVD, SS, GP	
Accessories	
Striking plate	
Lock and striking plate fixing screws	



ART.NO:	FINISH:
7200-55	SS
7200-60	SS

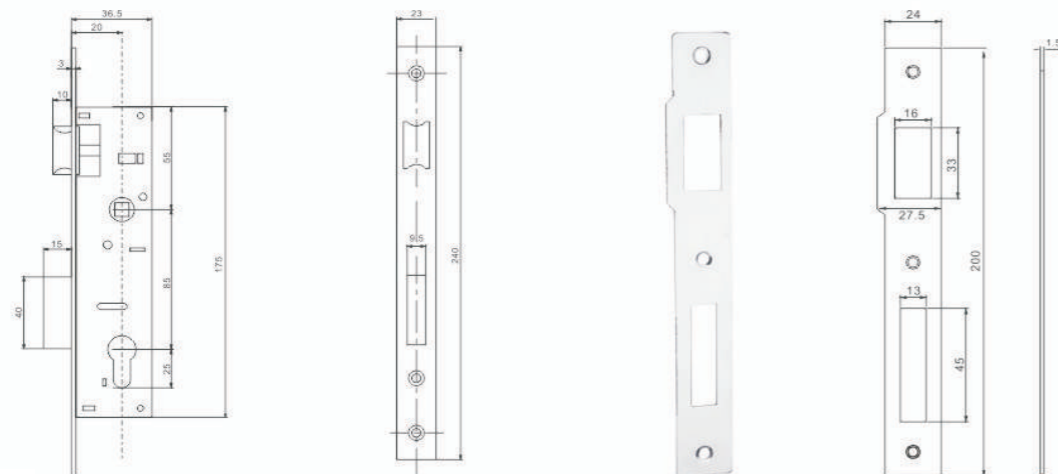
STANDARD LOCK	
Features	
According to EN12209-Grade 3, DIN 18251-1	
For wooden & metal doors	
For single-leaf doors	
Optional for rebated or non-rebated doors	
Suitable for external fire and smoke doors	
Prepared for profile cylinders	
With key action	
Stainless steel or brass latch bolt	
Deadbolt 2-tutns	
Technical data	
Follower	7,8,9mm
Distance	72mm
Backset	55,60mm
Forend	
Type	Square head
Thickness	3mm
Width	20,22,23,24mm
Forend finish	
Steel: SN, CP, AB, AC, COF, PVD, SS, GP	
Accessories	
Striking plate	
Lock and striking plate fixing screws	





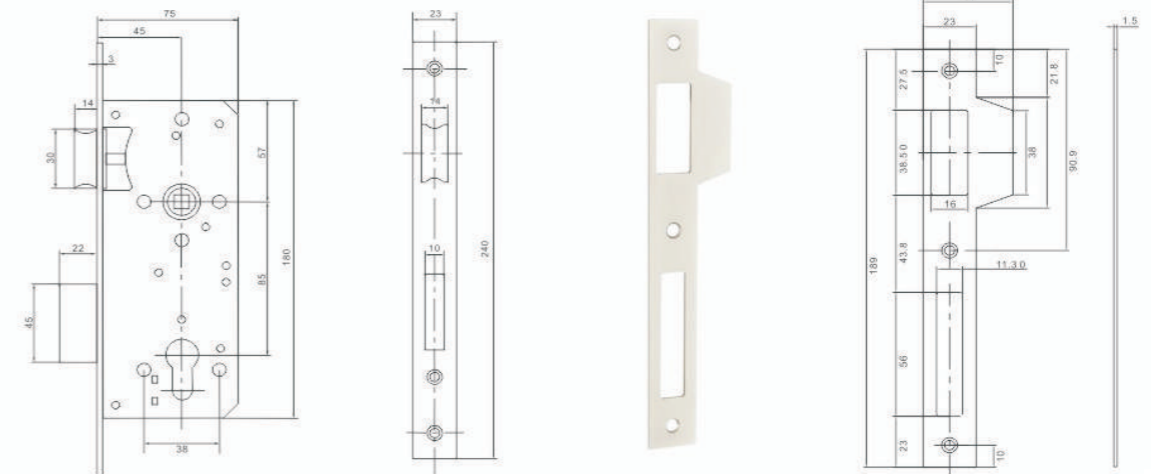
ART.NO:	FINISH:
8509-20	CP
8509-25	CP
8509-30	SN
8509-35	SN

STANDARD LOCK	
Features	
For wooden & metal doors	
For single-leaf doors	
Prepared for profile cylinders	
With key action	
Stainless steel or brass latch bolt	
Deadbolt 1-tutns	
20,25 opening backside	
30,35 closing backside	
Technical data	
Follower	8mm
Distance	85mm
Backset	20,25,30,35mm
Forend	
Type	Square head
Thickness	3mm
Width	22mm
Forend finish	
Steel: SN,CP,AB,AC,COF,PVD,SS,GP	
Accessories	
Striking plate	
Lock and striking plate fixing screws	



ART.NO:	FINISH:
8508-45	SN

STANDARD LOCK	
Features	
For wooden & metal doors	
For single-leaf doors	
Prepared for profile cylinders	
With key action	
Stainless steel or brass latch bolt	
Deadbolt 2-tutns	
Technical data	
Follower	8mm
Distance	85mm
Backset	45mm
Forend	
Type	Square head
Thickness	3mm
Width	23mm
Forend finish	
Steel: SN,CP,AB,AC,COF,PVD,SS,GP	
Accessories	
Striking plate	
Lock and striking plate fixing screws	



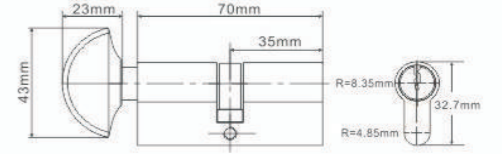
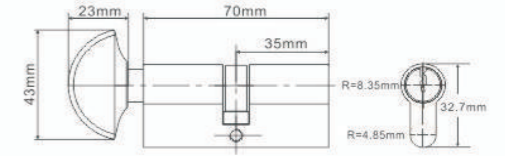
EC-1 SN

Material	BRASS
Dimension	45/50/55/60/65/70/75/80/85/90/95/100mm



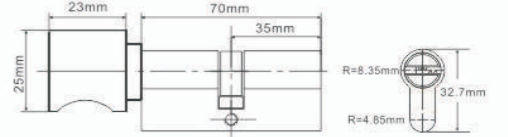
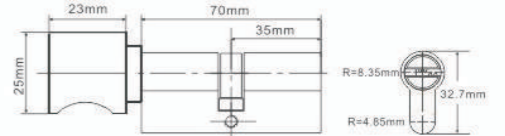
SC-03 SN

Material	BRASS
Dimension	60/65/70/75/80/85/90/95/100mm



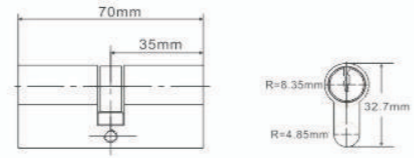
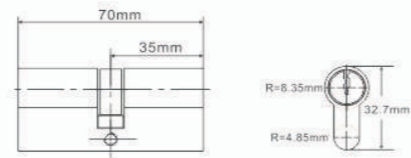
SC-05 SN

Material	BRASS
Dimension	60/65/70/75/80/85/90/95/100mm



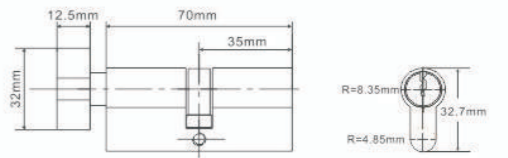
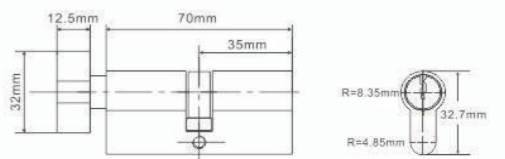
DC-1 SN

Material	BRASS
Dimension	60/65/70/75/80/85/90/95/100mm



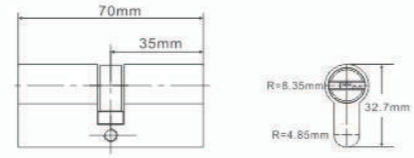
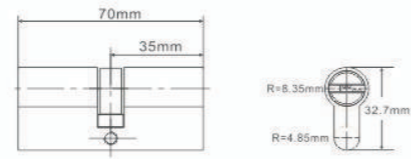
SC-06 SN

Material	BRASS
Dimension	60/65/70/75/80/85/90/95/100mm



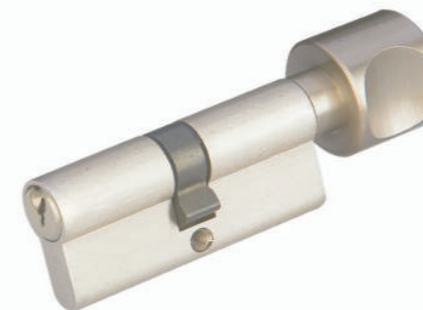
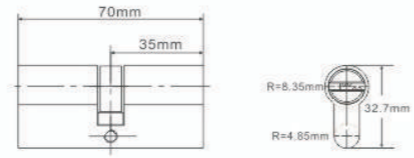
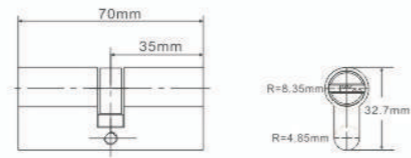
DC-2 SN

Material	BRASS
Dimension	60/65/70/75/80/85/90/95/100mm



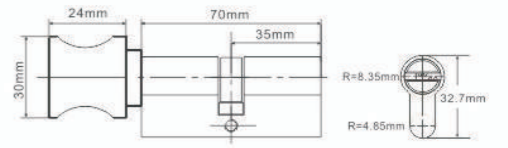
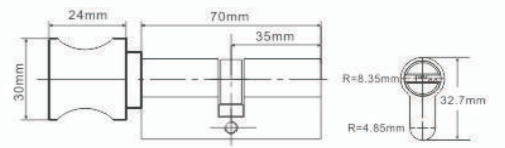
C2DC-1 BB

Material	BRASS
Dimension	60/65/70/75/80/85/90/95/100mm



SC-11 SN

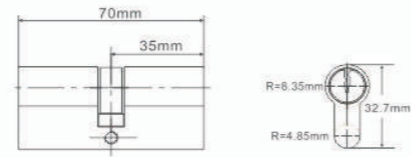
Material	BRASS
Dimension	60/65/70/75/80/85/90/95/100mm





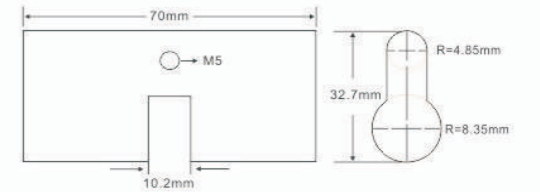
CDC-1 SN

Material	BRASS
Dimension	45/50/55/60/65/70/75/80/85/90/95/100mm



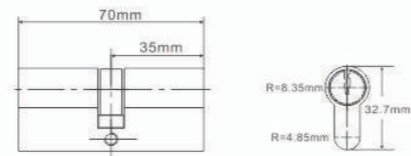
DT-7 SN

Material	BRASS
Dimension	60/65/70/75/80/85/90/95/100mm



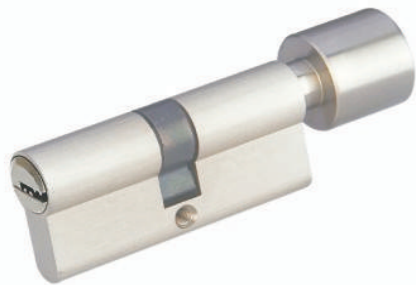
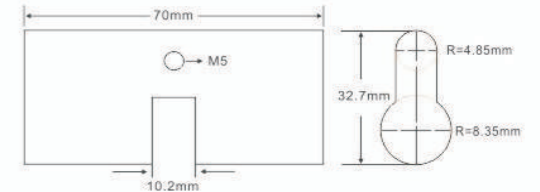
CSC-03 PB

Material	BRASS
Dimension	60/65/70/75/80/85/90/95/100mm



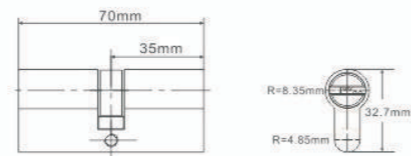
ATD-9 SN

Material	BRASS
Dimension	70/75/80/85/90/95/100mm



CSC-05 SN

Material	BRASS
Dimension	60/65/70/75/80/85/90/95/100mm



CSC-12 CF

Material	Brass Cylinder With Zinc Knob
Dimension	68mm



CSC-10 SN

Material	BRASS
Dimension	60/65/70/75/80/85/90/95/100mm



SC-07 BB

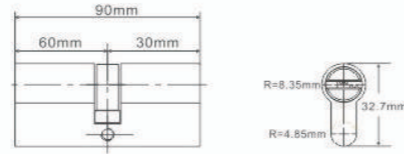
Material	BRASS
Dimension	68mm





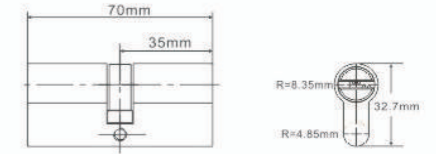
CDC-3 SN

Material	stainless steel
Dimension	60/65/70/75/80/85/90/95/100mm



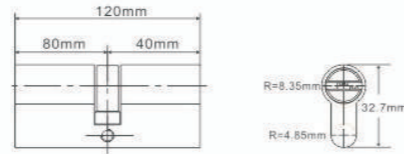
SC-13 PB

Material	BRASS
Dimension	60/65/70/75/80/85/90/95/100mm



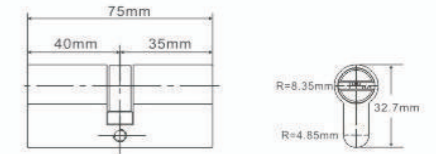
CDC-2 SN

Material	stainless steel
Dimension	60/65/70/75/80/85/90/95/100mm



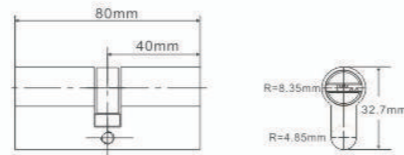
C4DC-4 BB

Material	BRASS
Dimension	60/65/70/75/80/85/90/95/100mm



DC-3 SN

Material	stainless steel
Dimension	60/65/70/75/80/85/90/95/100mm



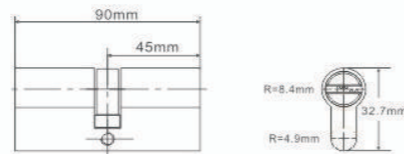
SC-07B BB

Material	BRASS
Dimension	60/65/70/75/80/85/90/95/100mm



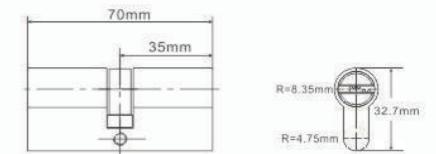
C3DC-1 PB

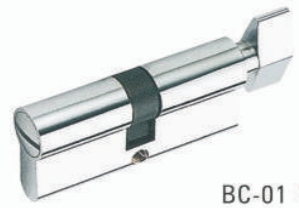
Material	BRASS
Dimension	60/65/70/75/80/85/90/95/100mm



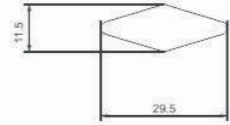
SC-07A BB

Material	BRASS
Dimension	60/65/70/75/80/85/90/95/100mm

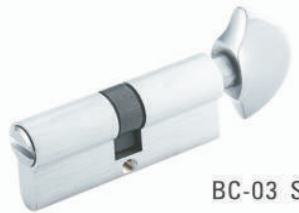
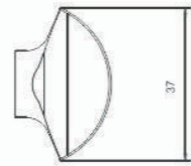




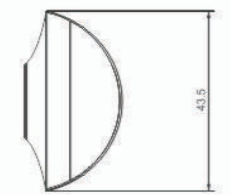
BC-01 CP



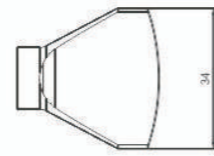
BC-02 AC



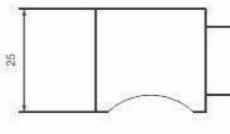
BC-03 SC



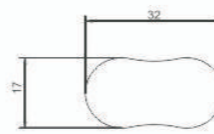
BC-04 AB



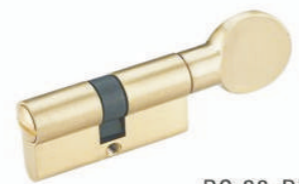
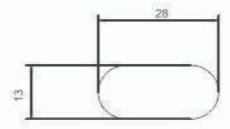
BC-05 PB



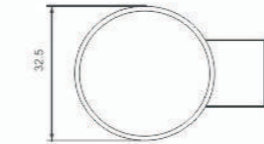
BC-06 SN



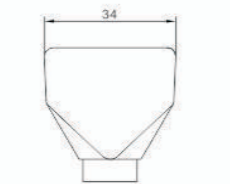
BC-07 PB



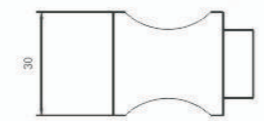
BC-08 BB



BC-10 SN



BC-11 SN



K02



K08



K10



K14



K15



K20



K27



K28



K29



K30



K31



K32



K33



K34



K35



K36



K37



K38



K39



K40



K41



K42



K43



K44



K45



K46



K47



K48



K49



K50



K51



K52



K53



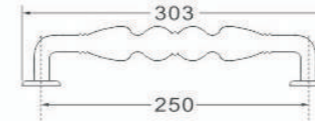
K54



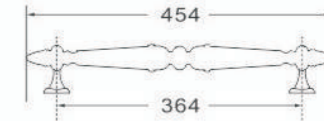
K55



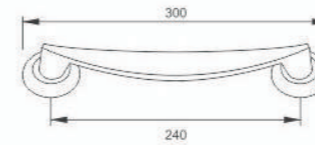
Zinc Alloy
Big Pull Handle Series



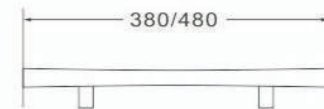
HA42-002 GP



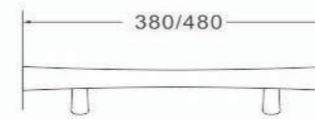
H-010 PVD



HA1-001 RGP



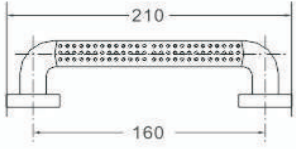
H-004 SG



H-1233 SG



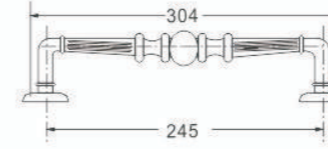
H-005 SG



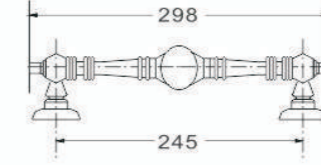
HA-1054 GP



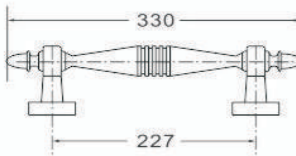
H-006 CP/PVD



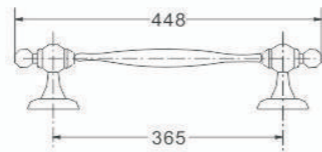
HA10-011 EG



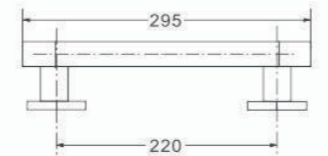
HA2-012 CF



H-007 PVD



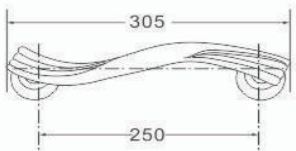
H-008 PVD



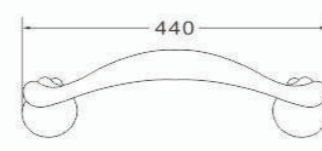
HA-013 CP/PVD



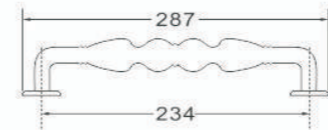
HA-014 CP/PVD



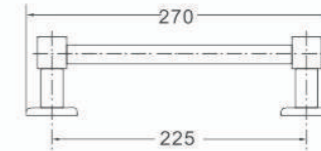
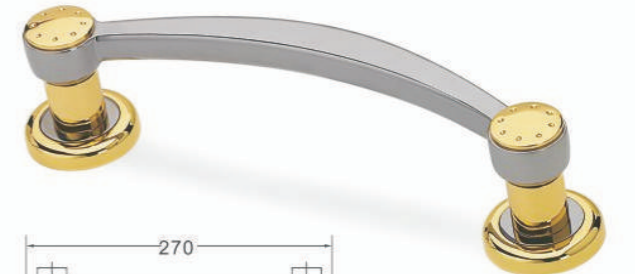
HA17-009 PVD



H-003 PVD



HA42-015 CF



HA1-016 BN/GP

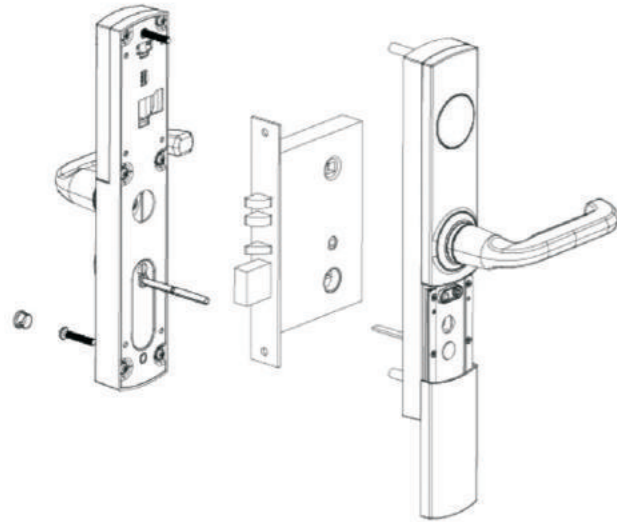


HOTEL INTELLIGENT DOOR LOCK



8058-MF-ZL

Installation



Technical parameter

Lock type	RF card lock
Electronic key	Mifare One S50 card
International Standard	ISO14443-A
Static current	≤25uA
Dynamic current	≤200mA
Power Supply	4 xAA
Low-voltage Index	5.0V(±0.2V)
Battery life	≥10000 times
Mechanical life	≥100000 times
Reliability	≥30000 times
Weight	2.5kg
Working temperature	-20°C ~ 55°C
Storage temperature	-30°C ~ 70°C
Working humidity	15%RH ~ 93%RH

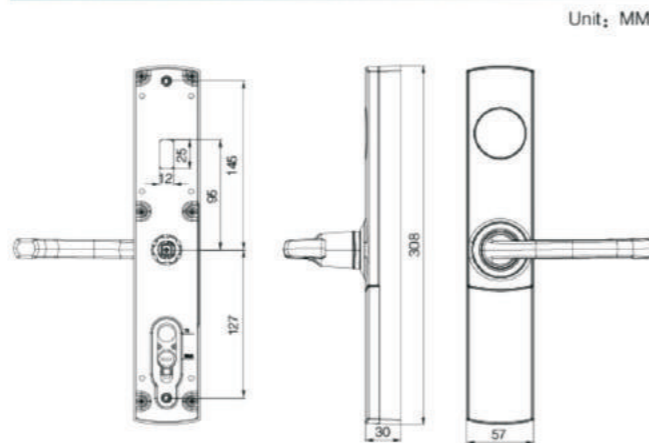
Function features



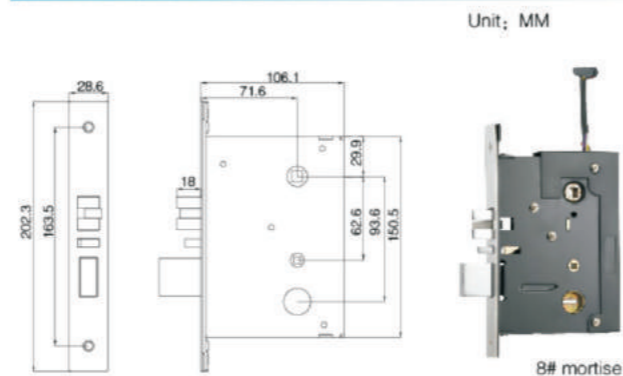
Description

- High density integrated zinc alloy casting molding,damage proof structure design.
- Integrate sealed PCB--Water proof, dust proof shock proof and protect the electronic components properly.
- ANSI standard mortise, five lock tongue three linkage lock body, prevent plug oblique tongue design.
- Hidden Cylinder override, elegant and more security.
- Applicable card: Philip's Mifare S50 Card.
- Application places: Star hotel, Seaview resorts.
- Package contents: A: 8058-MFL*1; B: Back-up door key*2; C: Drilling template*1; D: Installation and operation manual*1

Panel measurement



Mortise measurement



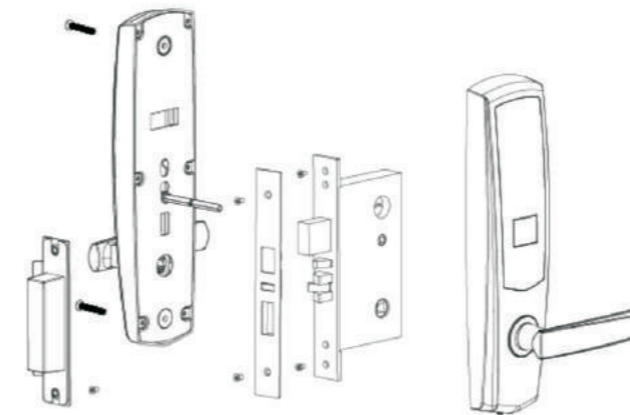
HOTEL INTELLIGENT DOOR LOCK



8068-MF-ZL

8068-MF-XBJ

Installation



Technical parameter

Lock type	RF card lock
Electronic key	Mifare One S50 card
International Standard	ISO14443-A
Static current	≤25uA
Dynamic current	≤200mA
Power Supply	4 xAA
Low-voltage Index	5.0V(±0.2V)
Battery life	≥10000 times
Mechanical life	≥100000 times
Reliability	≥30000 times
Weight	4.5kg
Working temperature	-20°C ~ 55°C
Storage temperature	-30°C ~ 70°C
Working humidity	15%RH ~ 93%RH

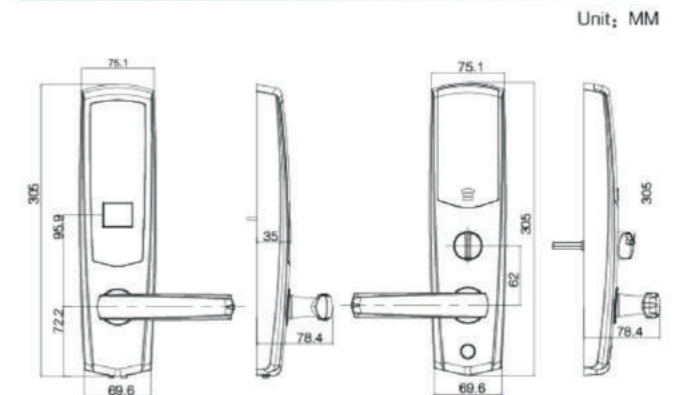
Function features



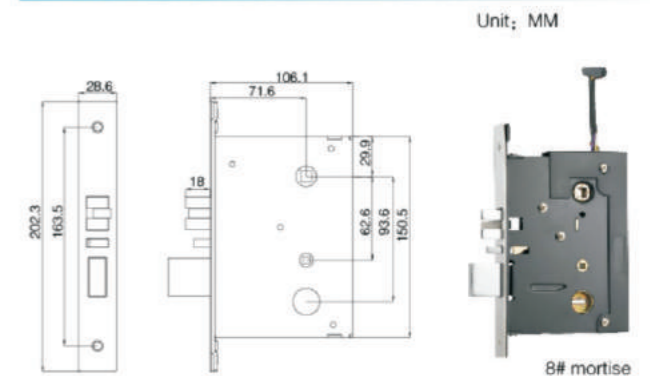
Description

- Water transfer injection molding sensor panel, never fade
- High density integrated zinc alloy casting molding,damage proof structure design.
- Integrate sealed PCB--Water proof, dust proof shock proof and protect the electronic components properly.
- ANSI standard mortise, five lock tongue three linkage lock body, prevent plug oblique tongue design.
- Hidden Cylinder override, elegant and more security.
- Applicable card: Philip's Mifare S50 Card.
- Application places: Star hotel, Seaview resorts.
- Package contents: A: 8068-MFL*1; B: Back-up door key*2; C: Drilling template*1; D: Installation and operation manual*1

Panel measurement



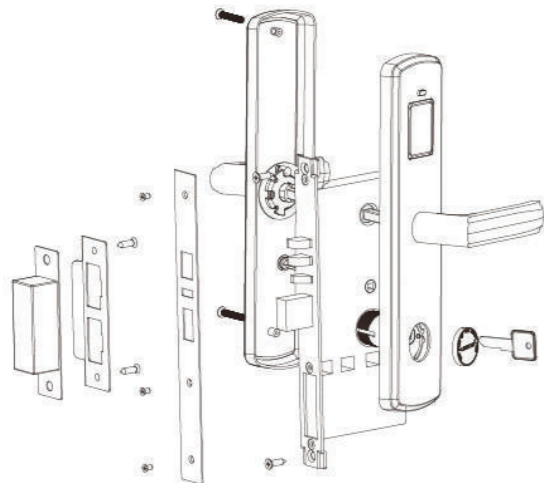
Mortise measurement



HOTEL INTELLIGENT DOOR LOCK



Installation

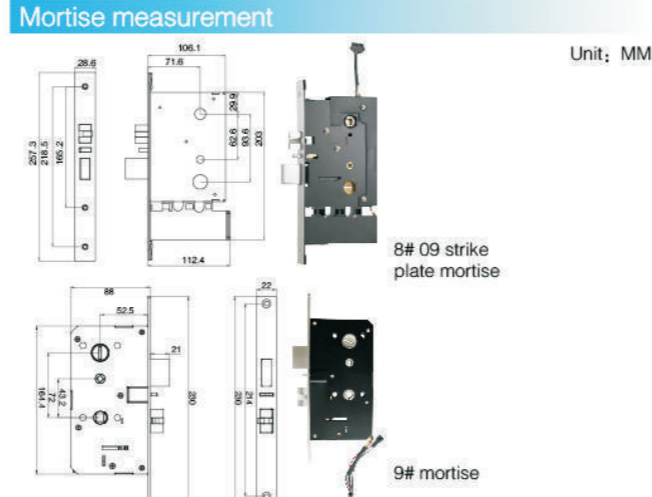
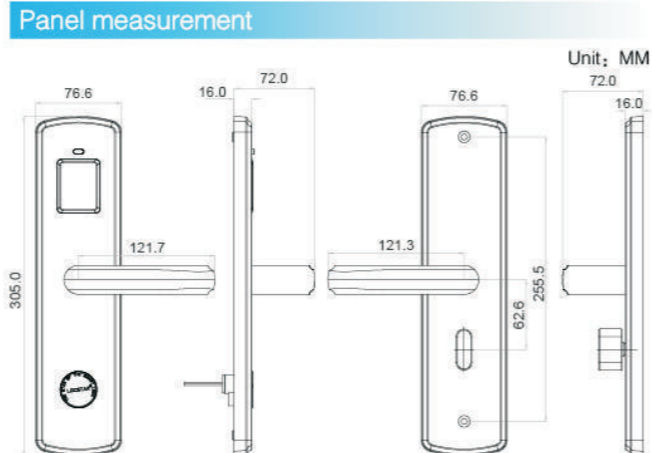


Function features

- Card Unlocking
- Mechanical Key
- Time Control Function
- Integrated Manufacturing
- Low Power Alarm Function
- 9# Mortise
- 8# Long Mortise
- Fireproofing
- Self-locking Protection

Description

- SUS304 casting molding, damage proof structure design.
- Integrate sealed PCB--Water proof, dust proof, shock proof and protect the electronic components properly.
- ANSI / Euro standard mortise, five lock tongue three linkage lock body, prevent plug oblique tongue design.
- Hidden Cylinder override, elegant and more security.
- Finish Optional: Stainless steel or PVD
- Applicable card: Philip' s Mifare S50 Card or ATMEL Temic encrypted card
- Application places: Star hotel, Seaview resorts.
- Package contents: A: 8105-RF*1; B: Back-up door key*2; C: Drilling template*1; D: Installation and operation manual*1



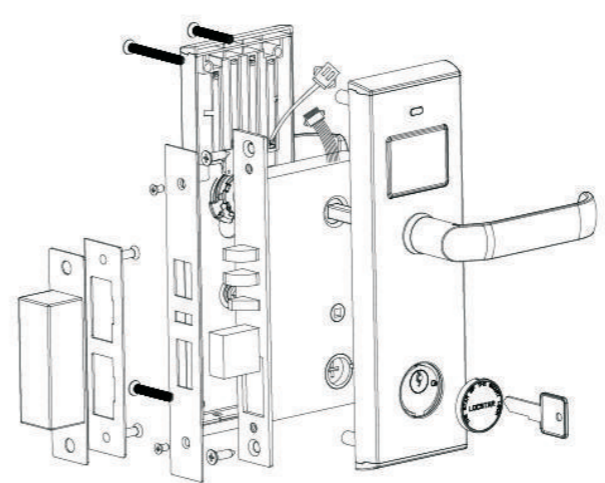
Technical parameter

Lock type	RF card lock	
Electronic key	NXP Mifare One S50	ATMEL T5557
	Mifare card	Temic card
International Standard	ISO14443-A	ISO11784/785
Static current	≤ 25uA	≤ 15uA
Dynamic current	≤ 200mA	
Power Supply	4 xAA	
Low-voltage Index	5.0V(± 0.2V)	
Battery life	≥ 10000 times	
Mechanical life	≥ 100000 times	
Reliability	≥ 30000 times	
Weight	3.5kg	
Working temperature	-20°C ~ 55°C	
Storage temperature	-30°C ~ 70°C	
Working humidity	15%RH ~ 93%RH	

HOTEL INTELLIGENT DOOR LOCK



Installation

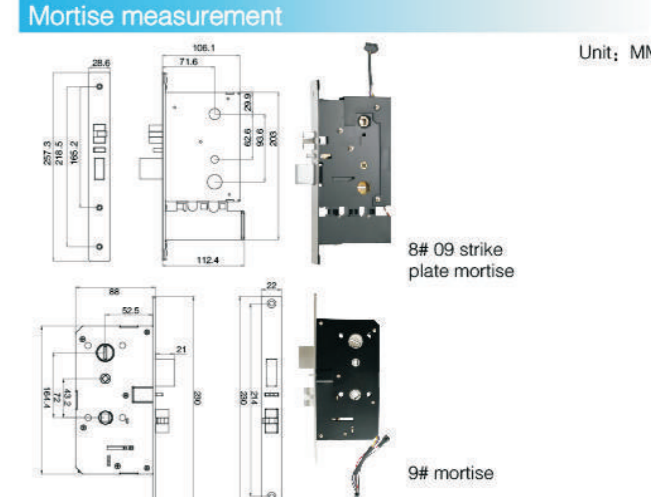
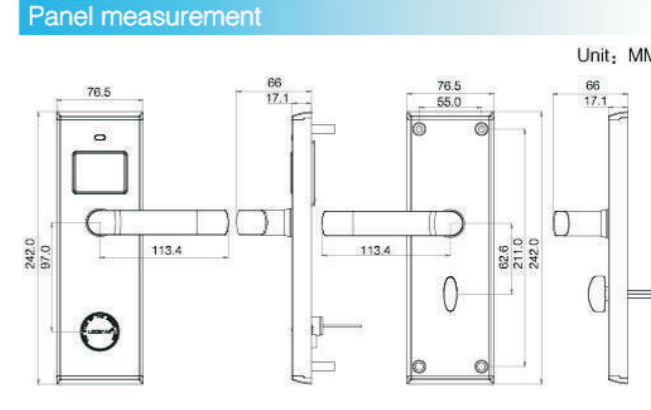


Function features

- Card Unlocking
- Time Control Function
- Mechanical Key
- Low Power Alarm Function
- Integrated Manufacturing
- 9# Mortise
- 8# Long Mortise
- Fireproofing
- Self-locking Protection

Description

- SUS304 material casting molding, damage proof structure design.
- Suitable for IC hotel system updated to RF hotel system.
- Integrate sealed PCB--Water proof, dust proof, shock proof and protect the electronic components properly.
- ANSI/Euro standard mortise, five lock tongue three linkage lock body, prevent plug oblique tongue design.
- Hidden Cylinder override, elegant and more security.
- Finish Optional: Stainless steel or PVD
- Applicable card: Philip' s Mifare S50 Card or ATMEL Temic encrypted card
- Application places: Quick hotel , Old hotel updated.
- Package contents: A: 8002-RF*1; B: Back-up door key*2; C: Drilling template*1; D: Installation and operation manual*1



Technical parameter

Lock type	RF card lock	
Electronic key	NXP Mifare One S50	ATMEL T5557
	Mifare card	Temic card
International Standard	ISO14443-A	ISO11784/785
Static current	≤ 25uA	≤ 15uA
Dynamic current	≤ 200mA	
Power Supply	4 xAA	
Low-voltage Index	5.0V(± 0.2V)	
Battery life	≥ 10000 times	
Mechanical life	≥ 100000 times	
Reliability	≥ 30000 times	
Weight	3.5kg	
Working temperature	-20°C ~ 55°C	
Storage temperature	-30°C ~ 70°C	
Working humidity	15%RH ~ 93%RH	

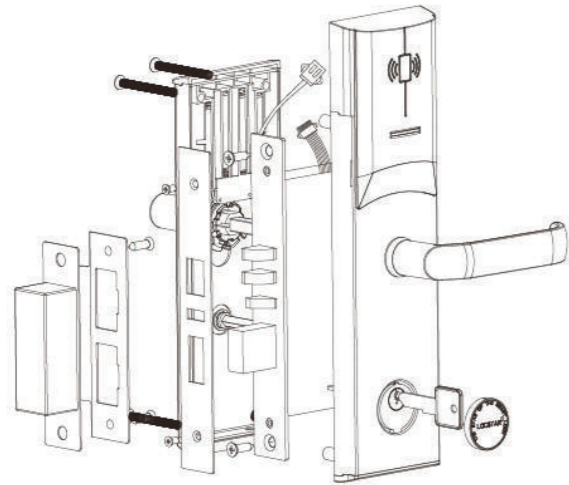
HOTEL INTELLIGENT DOOR LOCK



8088-RF-BXG

8088-RF-PVD

Installation



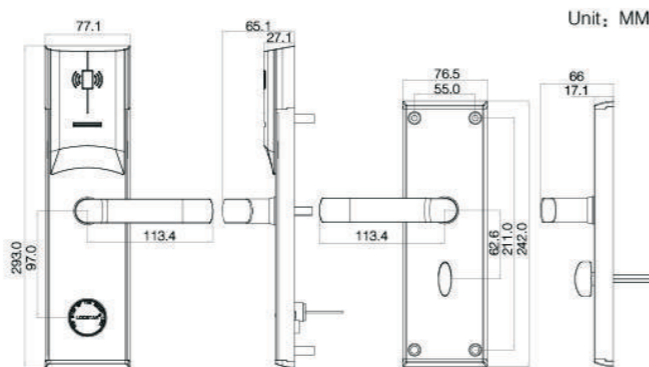
Function features



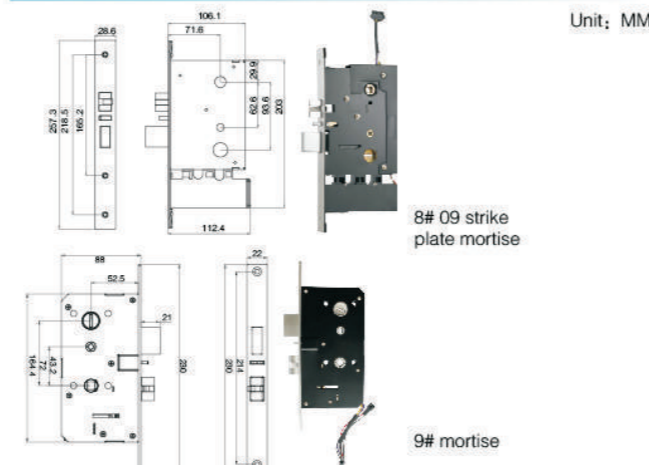
Description

- SUS304 material casting molding, damage proof structure design.
- Suitable for IC hotel system updated to RF hotel system.
- Integrate sealed PCB--Water proof, dust proof, shock proof and protect the electronic components properly.
- ANSI/Euro standard mortise, five lock tongue three linkage lock body, prevent plug oblique tongue design.
- Hidden Cylinder override, elegant and more security.
- Finish Optional: Stainless steel or PVD
- Applicable card: Philip' s Mifare S50 Card or ATMEL Temic encrypted card
- Application places: Quick hotel , Old hotel updated.
- Package contents: A: 8088-RF*1; B: Back-up door key*2; C: Drilling template*1; D: Installation and operation manual*1

Panel measurement



Mortise measurement



Technical parameter

Lock type	RF card lock	
Electronic key	NXP Mifare One S50	ATMEL T5557
	Mifare card	Temic card
International Standard	ISO14443-A	ISO11784/785
Static current	≤ 25uA	≤ 15uA
Dynamic current	≤ 200mA	
Power Supply	4 xAA	
Low-voltage Index	5.0V(± 0.2V)	
Battery life	≥ 10000 times	
Mechanical life	≥ 100000 times	
Reliability	≥ 30000 times	
Weight	3.5kg	
Working temperature	-20°C ~ 55°C	
Storage temperature	-30°C ~ 70°C	
Working humidity	15%RH ~ 93%RH	

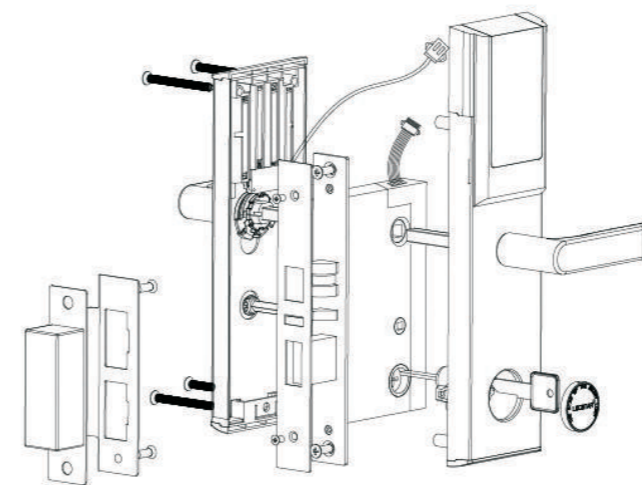
HOTEL INTELLIGENT DOOR LOCK



8098-RF-PVD

8098-RF-BXG

Installation



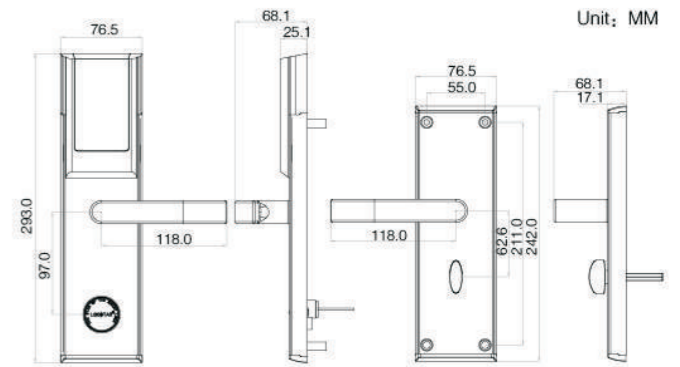
Function features



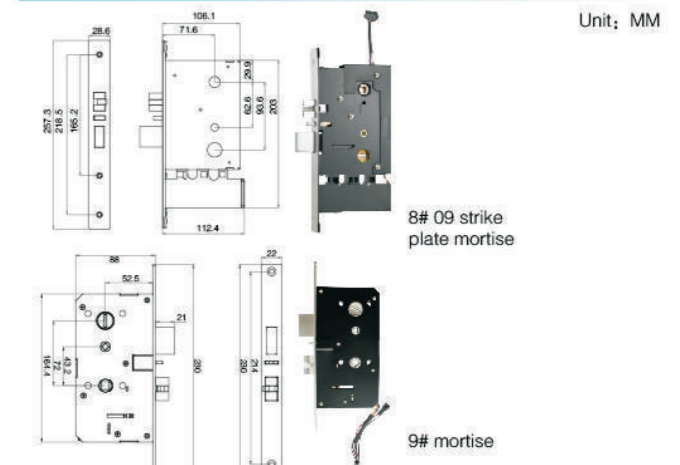
Description

- SUS304 material casting molding, damage proof structure design.
- Suitable for IC hotel system updated to RF hotel system.
- Integrate sealed PCB--Water proof, dust proof, shock proof and protect the electronic components properly.
- ANSI/Euro standard mortise, five lock tongue three linkage lock body, prevent plug oblique tongue design.
- Hidden Cylinder override, elegant and more security.
- Finish Optional: Stainless steel or PVD
- Applicable card: Philip' s Mifare S50 Card or ATMEL Temic encrypted card
- Application places: Quick hotel , Old hotel updated.
- Package contents: A: 8098-RF*1; B: Back-up door key*2; C: Drilling template*1; D: Installation and operation manual*1

Panel measurement



Mortise measurement



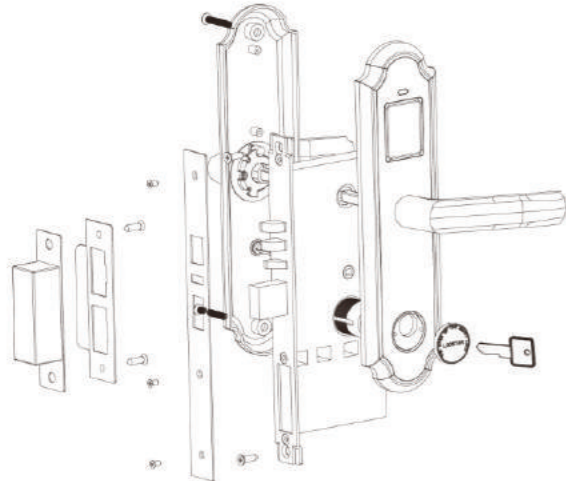
Technical parameter

Lock type	RF card lock	
Electronic key	NXP Mifare One S50	ATMEL T5557
	Mifare card	Temic card
International Standard	ISO14443-A	ISO11784/785
Static current	≤ 25uA	≤ 15uA
Dynamic current	≤ 200mA	
Power Supply	4 xAA	
Low-voltage Index	5.0V(± 0.2V)	
Battery life	≥ 10000 times	
Mechanical life	≥ 100000 times	
Reliability	≥ 30000 times	
Weight	3.5kg	
Working temperature	-20°C ~ 55°C	
Storage temperature	-30°C ~ 70°C	
Working humidity	15%RH ~ 93%RH	

HOTEL INTELLIGENT DOOR LOCK



Installation



Technical parameter

Lock type	RF card lock	
Electronic key	NXP Mifare One S50	ATMEL T5557
	Mifare card	Temic card
International Standard	ISO14443-A	ISO11784/785
Static current	≤25uA	≤15uA
Dynamic current	≤200mA	
Power Supply	4 xAA	
Low-voltage Index	5.0V(±0.2V)	
Battery life	≥10000 times	
Mechanical life	≥100000 times	
Reliability	≥30000 times	
Weight	3.5kg	
Working temperature	-20°C ~ 55°C	
Storage temperature	-30°C ~ 70°C	
Working humidity	15%RH ~ 93%RH	

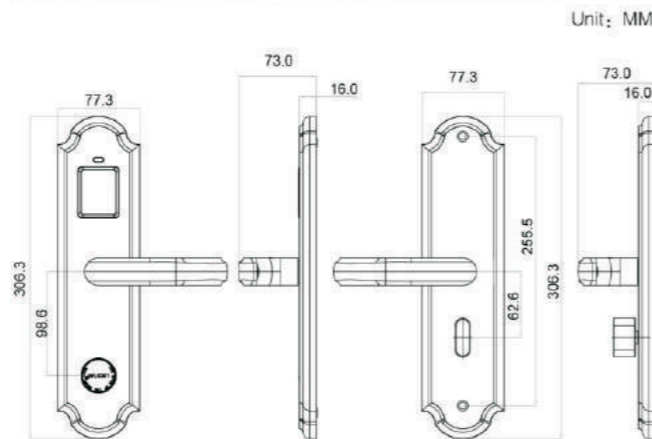
Function features



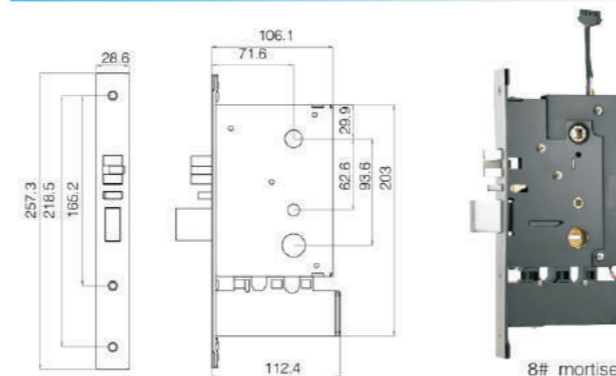
Description

- SUS304 casting molding, damage proof structure design.
- Integrate sealed PCB--Water proof, dust proof, shock proof and protect the electronic components properly.
- ANSI standard mortise, five lock tongue three linkage lock body, prevent plug oblique tongue design.
- Hidden Cylinder override, elegant and more security.
Finish Optional: Stainless steel or PVD
- Applicable card: Philip' s Mifare S50 Card or ATMEL Temic encrypted card
- Application places: Star hotel, Seaview resorts.
- Package contents: A: 8101-RF15*1; B: Back-up door key*2; C: Drilling template*1; D: Installation and operation manual*1

Panel measurement



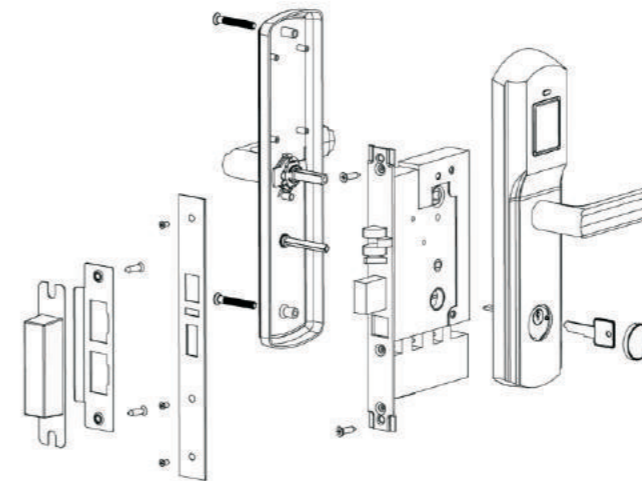
Mortise measurement



HOTEL INTELLIGENT DOOR LOCK



Installation



Technical parameter

Lock type	RF card lock	
Electronic key	NXP Mifare One S50	ATMEL T5557
	Mifare card	Temic card
International Standard	ISO14443-A	ISO11784/785
Static current	≤25uA	≤15uA
Dynamic current	≤200mA	
Power Supply	4 xAA	
Low-voltage Index	5.0V(±0.2V)	
Battery life	≥10000 times	
Mechanical life	≥100000 times	
Reliability	≥30000 times	
Weight	3.5kg	
Working temperature	-20°C ~ 55°C	
Storage temperature	-30°C ~ 70°C	
Working humidity	15%RH ~ 93%RH	

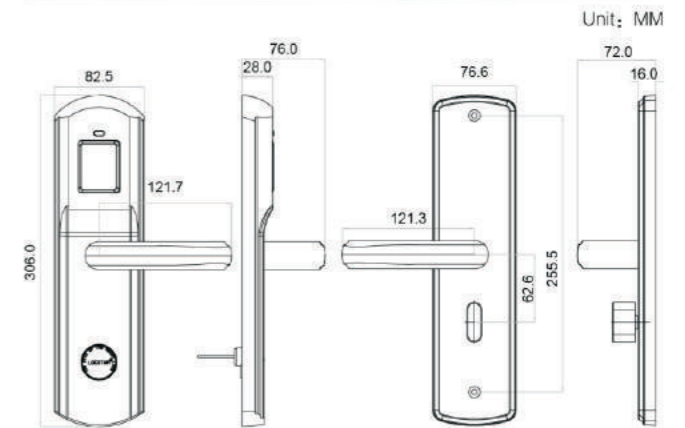
Function features



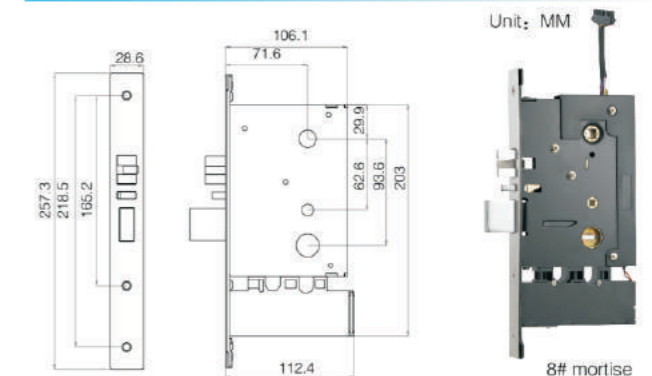
Description

- SUS304 casting molding, damage proof structure design.
- Integrate sealed PCB--Water proof, dust proof, shock proof and protect the electronic components properly.
- ANSI standard mortise, five lock tongue three linkage lock body, prevent plug oblique tongue design.
- Hidden Cylinder override, elegant and more security.
Finish Optional: Stainless steel or PVD
- Applicable card: Philip' s Mifare S50 Card or ATMEL Temic encrypted card.
- Application places: Star hotel, Seaview resorts.
- Package contents: A: 8108-RF*1; B: Back-up door key*2; C: Drilling template*1; D: Installation and operation manual*1

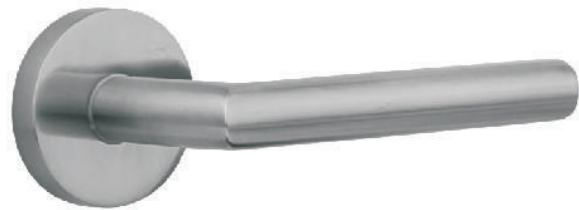
Panel measurement



Mortise measurement

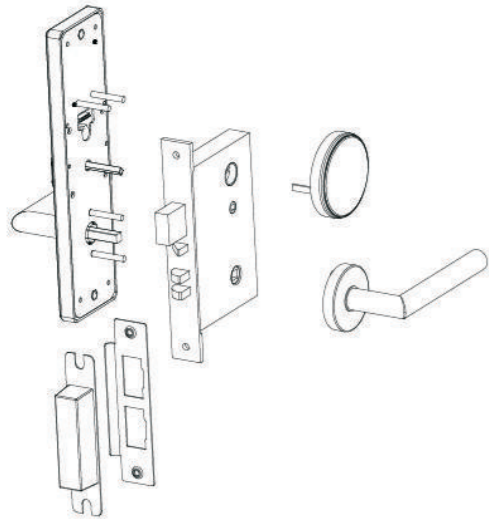


HOTEL INTELLIGENT DOOR LOCK



8202-MF-BXG

Installation



Technical parameter

Lock type	RF card lock
Electronic key	Mifare One S50 card
International Standard	ISO14443-A
Static current	≤ 25uA
Dynamic current	≤ 200mA
Power Supply	4 xAA
Low-voltage Index	5.0V(± 0.2V)
Battery life	≥ 10000 times
Mechanical life	≥ 100000 times
Reliability	≥ 30000 times
Weight	2.5kg
Working temperature	-20°C ~ 55°C
Storage temperature	-30°C ~ 70°C
Working humidity	15%RH ~ 93%RH

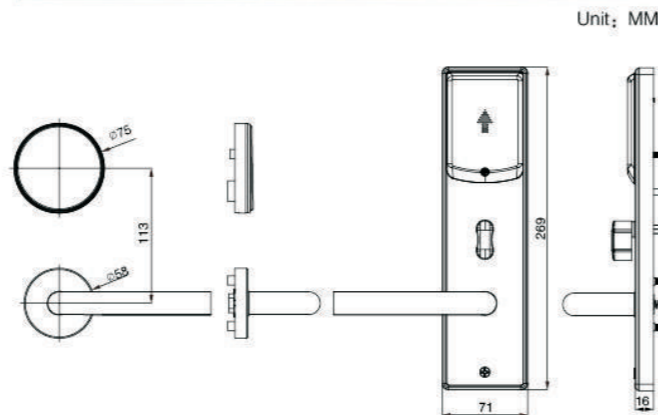
Function features



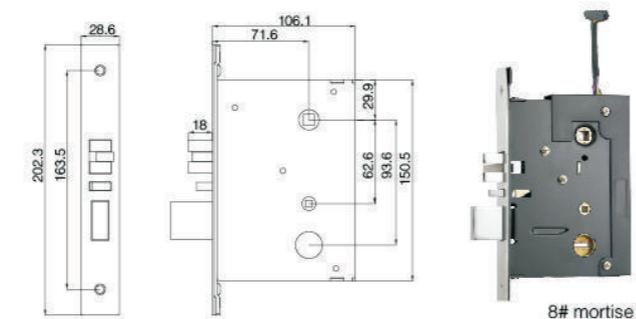
Description

- Modern design split hotel lock
- SUS304 casting molding, damage proof structure design.
- Integrate sealed PCB--- protect the electronic components properly.
- ANSI standard mortise, deadbolt Function, high security. Hidden Cylinder override.
- Applicable card: Philip's Mifare S50 Card.
- Application places: Star hotel, Quick hotel, Chain hotel.
- Package contents: A: 8202-MF*1; B: Back-up door key*2; C: Drilling template*1; D: Installation and operation manual*1

Panel measurement



Mortise measurement

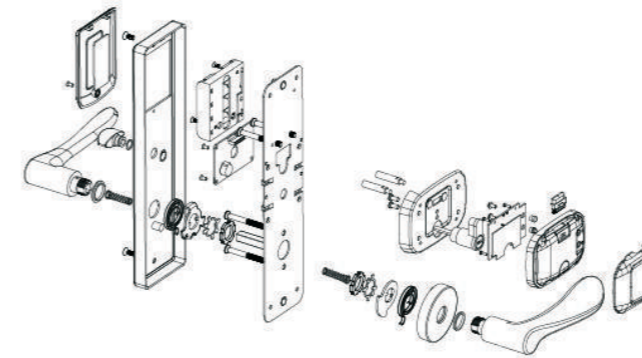


HOTEL INTELLIGENT DOOR LOCK



8203-MF-BXG

Installation



Technical parameter

Lock type	RF card lock
Electronic key	Mifare One S50 card
International Standard	ISO14443-A
Static current	≤ 25uA
Dynamic current	≤ 200mA
Power Supply	4 xAA
Low-voltage Index	5.0V(± 0.2V)
Battery life	≥ 10000 times
Mechanical life	≥ 100000 times
Reliability	≥ 30000 times
Weight	2.5kg
Working temperature	-20°C ~ 55°C
Storage temperature	-30°C ~ 70°C
Working humidity	15%RH ~ 93%RH

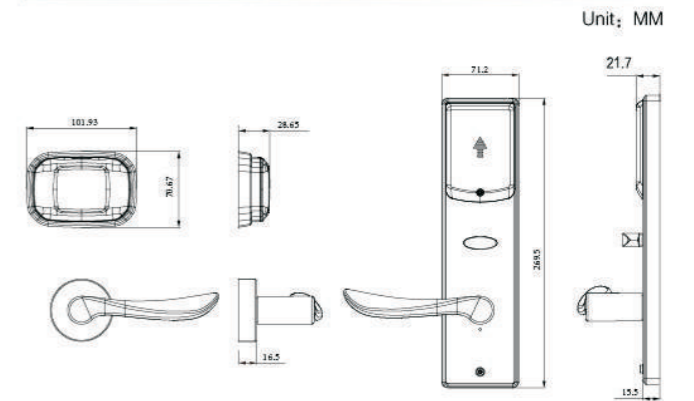
Function features



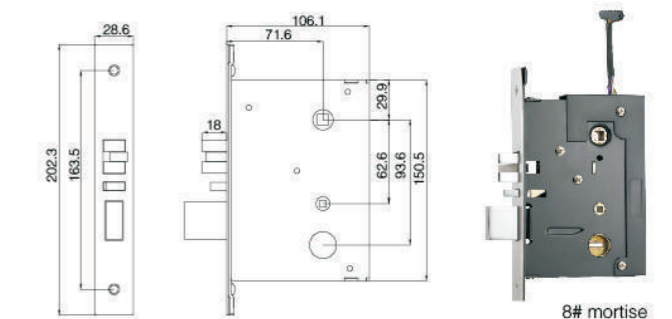
Description

- Modern design split hotel lock
- SUS304 casting molding, damage proof structure design.
- Zinc alloy material handle, handle is optional
- Integrate sealed PCB--- protect the electronic components properly.
- ANSI standard mortise, deadbolt Function, high security. Hidden Cylinder override, elegant and more security.
- Applicable card: Philip's Mifare S50 Card.
- Application places: Star hotel, Quick hotel, Chain hotel.
- Package contents: A: 8203-MF*1; B: Back-up door key*2; C: Drilling template*1; D: Installation and operation manual*1

Panel measurement



Mortise measurement



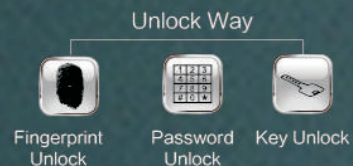
Apartment Smart Lock Series

Security Series-8105



Main function

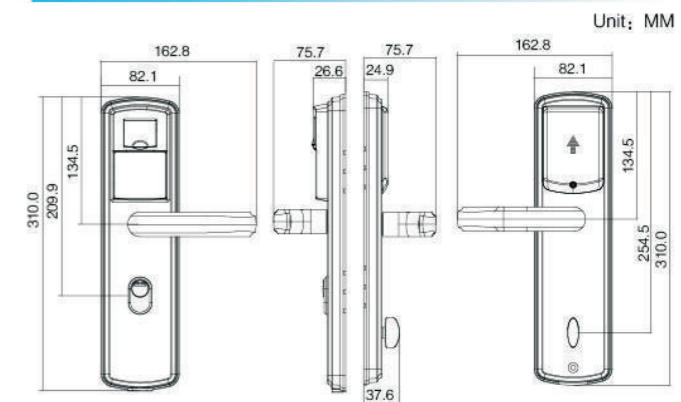
- Alarm Function**
 - Low Power Alarm Function
 - Self-locking Protection
- Security**
 - Handle-up Automatic Lockout
 - Fireproofing
 - Electronic Anti-theft Mortise
 - Emergency Power Interface



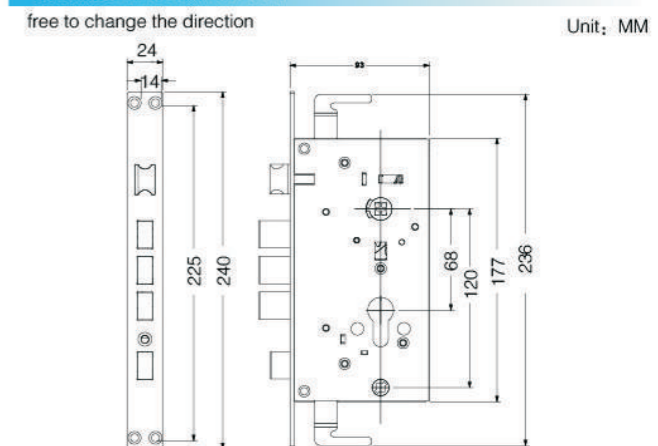
Function features

- High density integrated casting molding, damage proof structure design.
- Biometric Semi-conductor Fingerprint Sensor-- The Swedish FPC banking for the fingerprint sensor, 132 international banks to witness the quality of application.
- Integrate sealed PCB--Water proof, dust proof, shock proof and protect the electronic components properly.
- Master code intelligent management operation, convenient beyond your imagination;
- Package contents: A: 8105-ZMT(8105FMT)*1; B: Back-up door key*2; C: Drilling template*1; D: Installation and operation manual*1

Panel measurement



Mortise measurement



Technical parameter

Model	LS-8105-ZMT	LS-8105-FMT
Master code	1Group	1Group
Fingerprint capacity	100Pcs	-
User Card capacity	-	100Pcs
User code capacity	-	100Pcs
Card type	-	Mifare One S50
Card frequency	-	13.56MHZ
Reading distance	-	1.5CM
Read time	< 1 S	-
Power Supply	4 xAA	4 xAA
Low-voltage Index	5.0V(±0.2V)	5.0V(±0.2V)
Battery life	1 year	1 year
Resolution rate	500DPI	-
FRR	≤0.01%	-
Error rate	≤0.0001%	-
Static current	≤20 ~ 50uA	≤20 ~ 50uA
Dynamic current	≤300mA	≤300mA
Working temperature	-20°C ~ 55°C	-20°C ~ 55°C
Storage temperature	-30°C ~ 70°C	-30°C ~ 70°C
Working humidity	15%RH ~ 93%RH	15%RH ~ 93%RH

Installation

